



SERIES B11N LF

LF superRBronze

Forged bronze ball valve, FNPT threaded, full port.

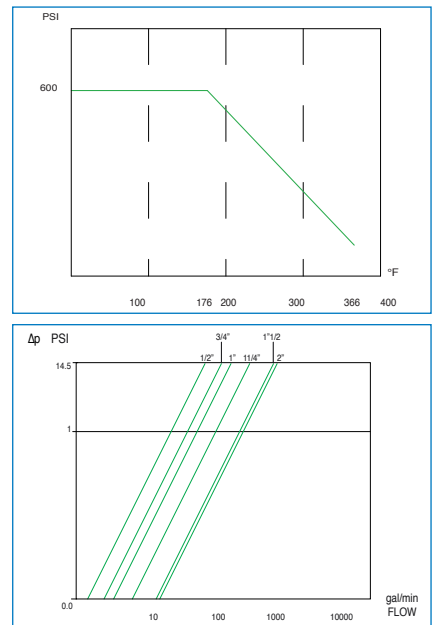
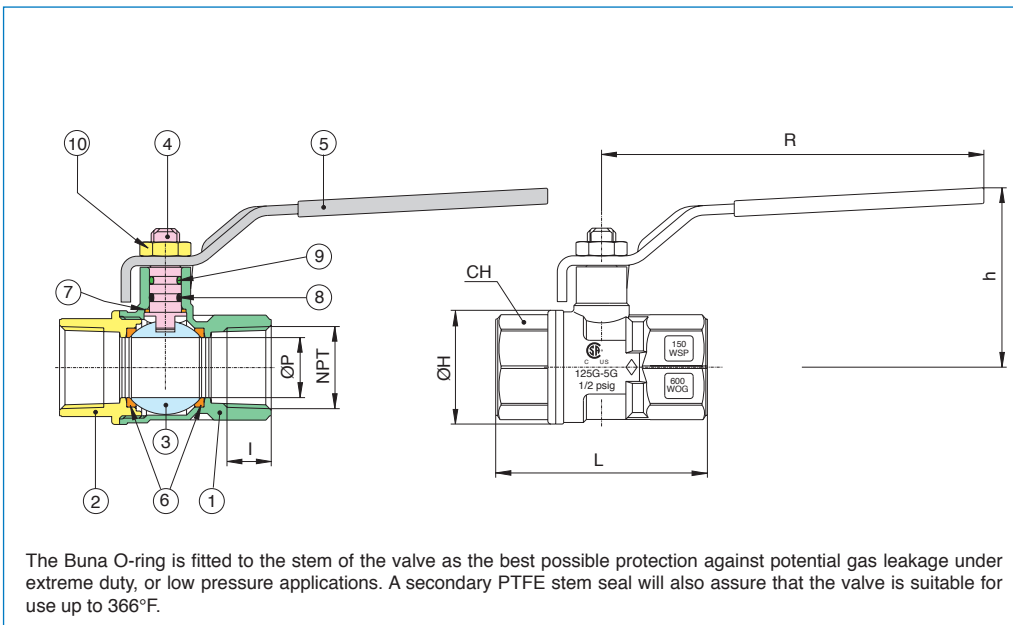
- Pressure rating 600 WOG - 150 WSP.
- Temperature range -4°F to 366°F.
- ANSI B1.20.1 connections.
- Made in specially formulated dezincification-resistant silicon bronze.
- SLT coated LF brass ball.
- Blow-out proof stem.
- PTFE seats and double O-ring packing.
- 100% electronically tested in the open and closed position at 80 psi.
- Valve to be used in fully open or fully closed position.

B11N LF: LEVER HANDLE - size 1/2" to 2".

B12N LF: T- HANDLE - size 1/2" to 1".



MEETS THE DESIGN CRITERIA OF MSS SP-110.



The Buna O-ring is fitted to the stem of the valve as the best possible protection against potential gas leakage under extreme duty, or low pressure applications. A secondary PTFE stem seal will also assure that the valve is suitable for use up to 366°F.

N PCS	PART NAME	MATERIAL	N PCS	SIZE	ØP	I	L	ØH	CH	R	h	Cv	psi	Weight Lbs
1	BODY	LF BRONZE*	1	1/2"	0.55	0.41	2.22	1.18	0.98	3.78	1.69	19.00	600	0.42
2	END CONNECTION	LF BRONZE*	1											
3	BALL	LF BRASS CW 510L*	1	3/4"	0.75	0.54	2.46	1.42	1.22	4.76	2.22	34.50	600	0.65
4	STEM	LF BRASS CW 510L*	1	1"	0.94	0.55	3.01	1.71	1.50	4.76	2.32	50.18	600	1.00
5	HANDLE	STEEL DD11	1											
6	BALL SEAT	PTFE	2	1 1/4"	1.19	0.68	3.37	2.09	1.89	5.94	2.85	103.70	600	1.62
8	O-RING	NBR	1	1 1/2"	1.50	0.68	3.70	2.56	2.13	5.94	3.09	268.40	600	2.30
9	O-RING	FKM (Viton)	1											
10	NUT	STEEL CL04	1	2"	1.95	0.70	4.33	3.39	2.64	6.30	3.70	309.20	600	3.93

* Lead free refers to the wetted surface of pipe, fittings and fixtures in potable water systems that have a weighted average lead content not more than 0.25%. Source: California health & Safety code (116875). Vermont Act 193.
WARNING: This product can expose you to chemicals including lead, which is known to the State of California to cause cancer and birth defects or other reproductive harm. For more information go to www.p65warnings.ca.gov.

